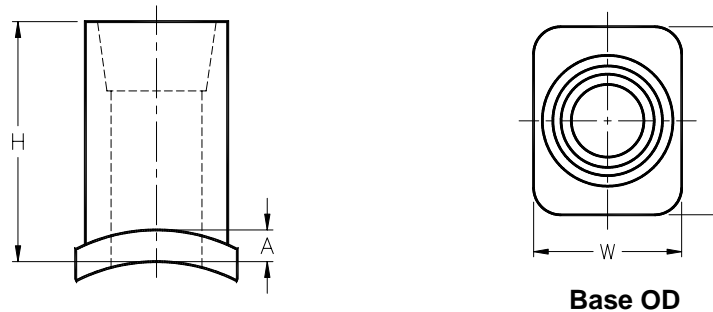


Service Saddles Socket Outlet Rectangular Base

PRODUCED TO ASTM D2513 and D2683



Main Size (Nominal) (IPS / DIPS)	Outlet Size	Dimensions (in)				Package Weight (lbs.)		CSA ¹	Package Quantity Without Sleeve	Reference Number
		H	W	L	A	With 12" Sleeve	Without Sleeve			
1 1/4" - 6"	1/2" CTS	3.13	1.77	2.30	0.50	4.3	9.94	x	50	*M*SSDL*
	1" CTS	2.96	2.05	2.58	0.33	6.0	11.6	x	50	
	1/2" IPS	2.96	1.77	2.28	0.28	4.3	8.66	x	50	
	3/4" IPS	3.25	1.82	2.33	0.58	4.9	9.42		50	
	1" IPS	3.00	2.05	2.58	0.37	7.0	12.08		50	
8" - 12"	1/2" CTS	3.13	1.77	2.30	0.50	4.3	2.6	x	10	
	1" CTS	2.96	2.05	2.58	0.33	6.0	2.7	x	10	
	1/2" IPS	2.96	1.77	2.28	0.28	4.3	2.4	x	10	
	3/4" IPS	3.25	1.82	2.33	0.58	4.9	2.4		10	
	1" IPS	3.00	2.05	2.58	0.37	7.0	2.9		10	
2" - 12"	1 1/4" IPS	2.98	2.35	2.68	0.51	9.1	12.66	x	50	

¹ - CSA and IAPMO available as DriscoPlex[®] 6500 MDPE materials ONLY up thru 8" mains.
 - Refer to Bulletin PP 11.4 if Protective Sleeves are required.
 - Drawing No. CU70B434