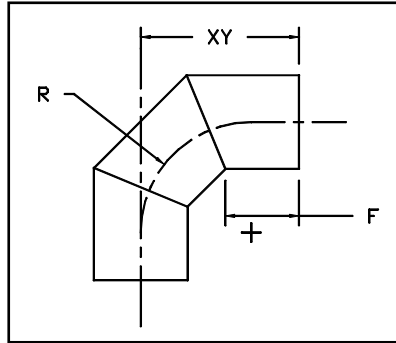


HDPE  
Elbow, 90° IPS Fabricated 3-Segment  
AWWA C906



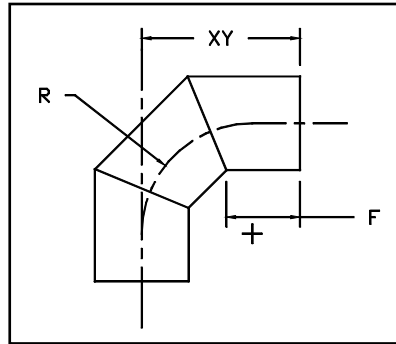
Dimensions and weights are approximate and subject to change. Please call for sizes not listed.

IPS Pipe Size	Nominal OD (in)	Pressure Class (psi)	Feed Stock	Dimension (in)			Weight (Lbs)
				R	F	XY	
10"	10.750*	80	DR 17	12 1/2	6 1/2	16	21
		128	DR 11				31
		160	DR 9				37
		200	DR 7				43
12"	12.750*	80	DR 17	13 1/2	8	19	34
		128	DR 11				51
		160	DR 9				61
		200	DR 7				72
14"	14.000*	80	DR 17	14	8	19	42
		128	DR 11				62
		160	DR 9				75
		200	DR 7				89
16"	16.000*	80	DR 17	15	8	20	56
		128	DR 11				84
		160	DR 9				100
		200	DR 7				120
18"	18.000*	80	DR 17	16	8	21	76
		128	DR 11				113
		160	DR 9				135
		200	DR 7				161
20"	20.000*	80	DR 17	17	8	22	98
		128	DR 11				147
		160	DR 9				175
		200	DR 7				209

\* Meets AWWA

San Francisco	511 Tunnel Avenue, Brisbane, CA 94005	415-467-4630	FAX 415-467-1010
Los Angeles	1304 E. San Bernardino Ave., San Bernardino, CA 92408	909-799-7800	FAX 909-799-5558
Bakersfield	5221 Gilmore Ave., Bakersfield, CA 93308	661-326-7800	FAX 661-326-7805
Reno	675-B Edison Way, Reno, NV 89502	775-856-1888	FAX 775-856-1844

HDPE  
Elbow, 90° IPS Fabricated 3-Segment  
AWWA C906



Dimensions and weights are approximate and subject to change. Please call for sizes not listed.

IPS Pipe Size	Nominal OD (in)	Pressure Class (psi)	Feed Stock	Dimension (in)			Weight (Lbs)
				R	F	XY	
22"	22.000*	80	DR 17	23	8	26	134
		128	DR 11				201
		160	DR 9				209
		200	DR 7				286
24"	24.000*	80	DR 17	24	8	27	167
		128	DR 11				250
		160	DR 9				298
		200	DR 7				356
28"	28.000	80	DR 17	38	14	42	352
		128	DR 11				525
		160	DR 9				626
30"	30.000	80	DR 17	38	14	43	410
		128	DR 11				611
		160	DR 9				729
32"	32.000	80	DR 17	38	14	43	473
		128	DR 11				705
34"	34.000	80	DR 17	38	14	44	542
		128	DR 11				807
36"	36.000	80	DR 17	38	14	44	616
		128	DR 11				917
42"	42.000	65	DR 21	50	21	59	925
		80	DR 17				1,129
48"	48.000	65	DR 21	51	21	61	1,244
		80	DR 17				1,518
54"	54.000	50	DR 26	51	21	62	1,244
		65	DR 21				1,518

\* Meets AWWA

San Francisco	511 Tunnel Avenue, Brisbane, CA 94005	415-467-4630	FAX 415-467-1010
Los Angeles	1304 E. San Bernardino Ave., San Bernardino, CA 92408	909-799-7800	FAX 909-799-5558
Bakersfield	5221 Gilmore Ave., Bakersfield, CA 93308	661-326-7800	FAX 661-326-7805
Reno	675-B Edison Way, Reno, NV 89502	775-856-1888	FAX 775-856-1844