

No.2065



MegaMc® No.2065 machines will butt fuse pipe sizes from 20" OD – 65" OD (500mm – 1600mm). The machine allows for butt fusion of most fittings without special holders. Mitered inserts are available for fabricating ells. McElroy's unique semi-automatic control system requires only one operator. Hydraulic power assists all fusion functions including the complete operation of the jaws, pipe lifts, heater, and facer. It also incorporates McElroy's patented Centerline Guidance System and is DataLogger® compatible.

MegaMc® No.2065



- Centerline Guidance System
- DataLogger® Compatible

No.2065 Fusion Machine

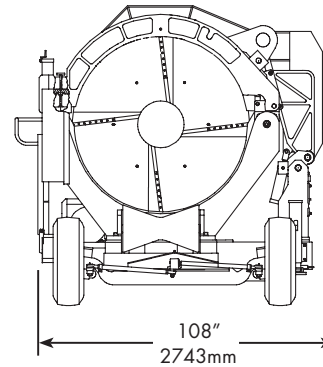
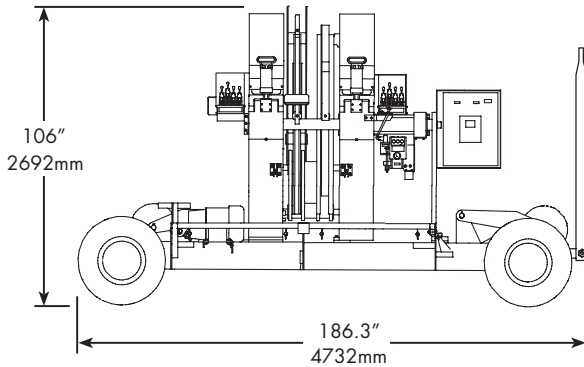
Package includes: fusion machine, facer, 48" and 65" heaters, butt fusion heater adapter set, lifting assembly, and operator's manual.

220-240V, 50/60Hz, 3 Ph	Part No.
High Force Cylinder	A6300102



DataLogger Compatible
A handheld computer used to document the profile of each fusion joint. See page 28-1.



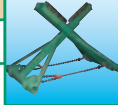


weight 14,000 lbs. (6350 Kg) **input power** 50 KVA

Pipe Support Stand

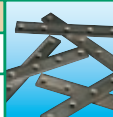
Height is adjustable to properly support, position and align pipe to be fused.

Description	Part No.
Support Stand	6314001



Spare Facer Blades

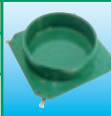
Description	Part No.
Set = 8 Blades	3615708



Stub End Holder

Holds stub end for butt fusion.


Description	Part No.
Holder	6315501



Pyrometer Kit

Pyrometer kit for accurately checking surface temperatures of heater.


Description	Part No.
Digital Meter	A218803



Spare Butt Plate Kit

Heater adapters have an anti-stick coating and are required for butt fusion. Includes attaching screws.

Description	Part No.
48" - 65"	A6314301
20" - 48"	A6311805



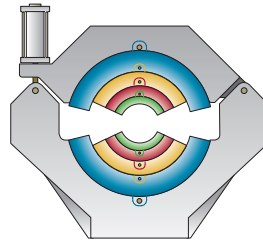
MegaMc No.2065 Accessories:

Butt Fusion Inserts

Inserts are made for one size pipe only and are required for pipe sizes less than 65" OD. Not all inserts fit directly in the jaws. Some inserts nest inside other inserts, called master inserts.

Set = 4 Inserts
(48" and larger)

Set = 8 Inserts
(1200mm and smaller)



Cast VERSUS Fabricated

Cast Inserts

Cast inserts are made from a high strength aluminum alloy, for light weight and easy handling, and have been surfaced hardened for longer life. All inserts are serrated for maximum grip on the pipe.



Cast Inserts

Fabricated Inserts

Fabricated inserts are constructed out of precision laser cut carbon steel and rolled components to ensure proper alignment in the jaws. They are normally lighter in weight than cast inserts.



Fabricated Inserts

NOTE: Other sizes of inserts are available upon request. Contact your McElroy representative about inserts to fit your needs.

All inserts below fit in 65" jaw

Inserts	Pipe OD	Cast Set #	Fab. Set #
65" JAW	65.00 (1651mm)	N/R	N/R
63.51" Master	63.51 (1613mm)	Inc w/pkg	N/A
63" OD	63.00 (1600mm)	N/A	6317301
1400mm	55.12 (1400mm)	N/A	6317401
54" OD	54.00 (1372mm)	6308706	6317201
52" OD	52.00 (1321mm)	N/A	6315401
48" DIPS	50.80 (1290mm)	N/A	6316201
48" Master	48.00 (1219mm)	6304504	N/A

All inserts below require 63.51" & 48" Master inserts

Inserts	Pipe OD	Cast Set #	Fab. Set #
1200mm	47.25 (1200mm)	N/A	4819501
42" OD	42.00 (1067mm)	4813104	4827501
1000mm	39.37 (1000mm)	4813111	4819601
36" Master	36.00 (914mm)	4813006	N/A

All inserts below require 63.51", 48" & 36" Master inserts

Inserts	Pipe OD	Cast Set #	Fab. Set #
900mm	35.43 (900mm)	N/A	3629401
34" OD	34.00 (864mm)	3603532	N/A
32" OD	32.00 (813mm)	3603512	3629501
800mm	31.50 (800mm)	3603509	3629601
30" OD	30.00 (762mm)	3603515	3629701
28" OD	28.00 (711mm)	3603418	3619705
26" OD	26.00 (660mm)	3606614	3629801
24" DIPS	25.80 (655mm)	3606617	3629901
630mm Master	24.80 (630mm)	3606604	N/A

All inserts below require 63.51", 48", 36" & 630mm Master inserts

Inserts	Pipe OD	Cast Set #	Fab. Set #
24" OD	24.00 (610mm)	2411604	2402301
20" DIPS	21.60 (549mm)	2411922	N/A
20" OD	20.00 (508mm)	2412010	N/A
500mm	19.69 (500mm)	2412011	N/A

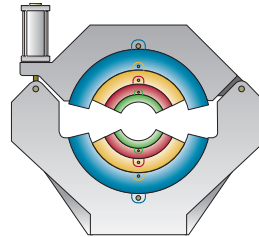
Mitered Inserts



Used to fabricate segmented ells. Inserts are made for one size pipe only. Some inserts nest inside other inserts, called master inserts.

Set = 4 Inserts + 1 Template

NOTE: Other sizes and angles of mitered inserts are available upon request. Contact your McElroy representative about inserts to fit your needs.



All inserts below fit in 65" jaw

Inserts	Pipe OD	Cast Set #	Fab. Set #
63.51" Master	63.51 (1613mm)	Inc w/pkg	N/A

All inserts below require 63.51" Master insert

Inserts	Pipe OD	Cast Set #	Fab. Set #
54" OD x 11¼	54.00 (1372mm)	N/A	6315001
48" OD x 11¼	48.00 (1219mm)	N/A	6314901
1200mm x 11¼	47.24 (1200mm)	N/A	•
48" Master	48.00 (1219mm)	6304504	N/A

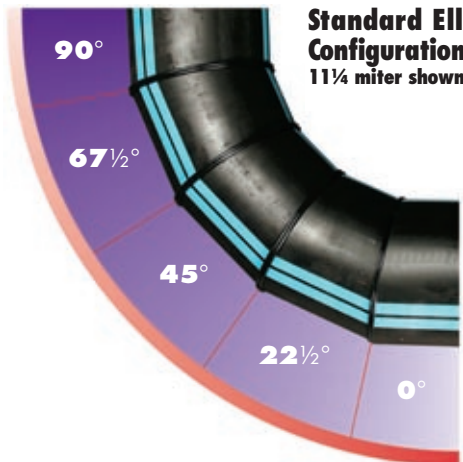
All inserts below require 63.51" & 48" Master inserts

Inserts	Pipe OD	Cast Set #	Fab. Set #
42 OD x 11¼	42.00 (1067mm)	4813115	4819701
36" OD x 11¼	36.00 (914mm)	4813010	4819801
900mm OD x 11¼	35.43 (900mm)	N/A	4820001
34" OD x 11¼	34.00 (864mm)	N/A	4819901
36" Master	36.00 (914mm)	4813006	N/A

All inserts below require 63.51", 48" & 36" Master inserts

Inserts	Pipe OD	Cast Set #	Fab. Set #
32" OD x 11¼	32.00 (813mm)	3603526	3631601
800mm OD x 11¼	31.50 (800mm)	3603523	3630201
30" OD x 11¼	30.00 (762mm)	3603520	3631701
28" OD x 11¼	28.00 (711mm)	3603529	3631801
26" OD x 11¼	26.00 (660mm)	3606623	N/A
24" DIPS x 11¼	25.80 (655mm)	3606620	N/A
24" OD x 11¼	24.00 (610mm)	3606613	N/A

• Set **6314901** includes: 1200mm Liners for 48" OD x 11¼ Mitered Inserts



Standard Ell Configuration
11¼ miter shown