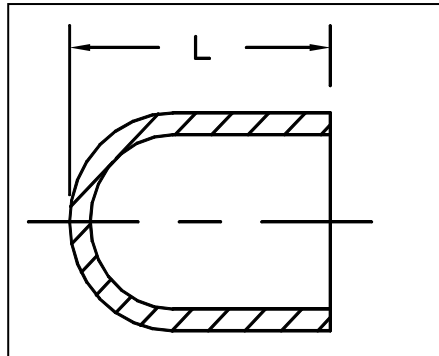


HDPE
End Cap, IPS Molded
AWWA C901 or C906



Dimensions and weights are approximate and subject to change. Please call for sizes not listed.

IPS Pipe Size	Nominal OD (in)	Pressure Class (psi)	Dimension (in)	Weight (Lbs)
			L	
3/4"	1.050*	200	2	0.1
1"	1.315*	160	2 3/8	0.1
		200		
1 1/4"	1.660*	160	3 1/4	0.1
		200		
1 1/2"	1.900*	160	3 5/8	0.3
		160		
		200		
		250		
3"	3.500*	100	4	1
		160		
		200		
		250		
4"	4.500*	100	4 1/4	2
		160		
		200		
		250		
6"	6.625*	100	5 1/4	3
		160		
		200		
		250		
8"	8.625*	100	5	5
		160		
		200		
		250		

* Meets AWWA

San Francisco	511 Tunnel Avenue, Brisbane, CA 94005	415-467-4630	FAX 415-467-1010
Los Angeles	1304 E. San Bernardino Ave., San Bernardino, CA 92408	909-799-7800	FAX 909-799-5558
Bakersfield	5221 Gilmore Ave., Bakersfield, CA 93308	661-326-7800	FAX 661-326-7805
Reno	675-B Edison Way, Reno, NV 89502	775-856-1888	FAX 775-856-1844